



DigiJupiter

**Full 1080p HDMI Wireless Extender
(Up to 4 receiver)**

DJE-T101

C O T E N T S

1	Overview.....	3
1.1	Introduction	3
1.2	Features.....	3
2	Profile	5
2.1	Interfaces.....	5
3	Specification.....	6
4	Wall Mounted Design	7
5	Application	8

Revision history

Revision	Revision date	Principle changes
V1.0	May. 2018	Create V1.0

Copyright © 2018 Digi-Jupiter TECH Co., Ltd. All rights reserved.

1 Overview

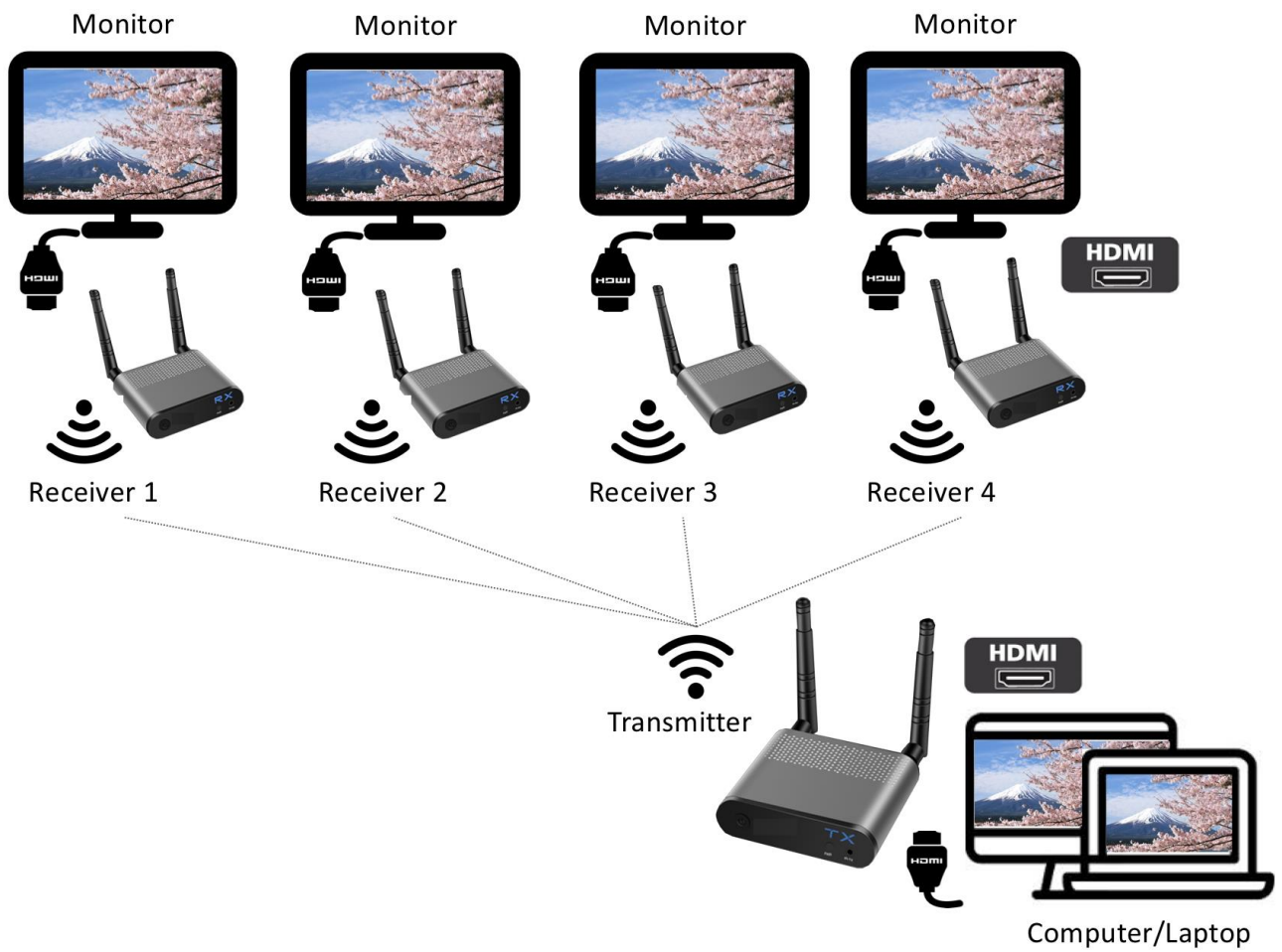
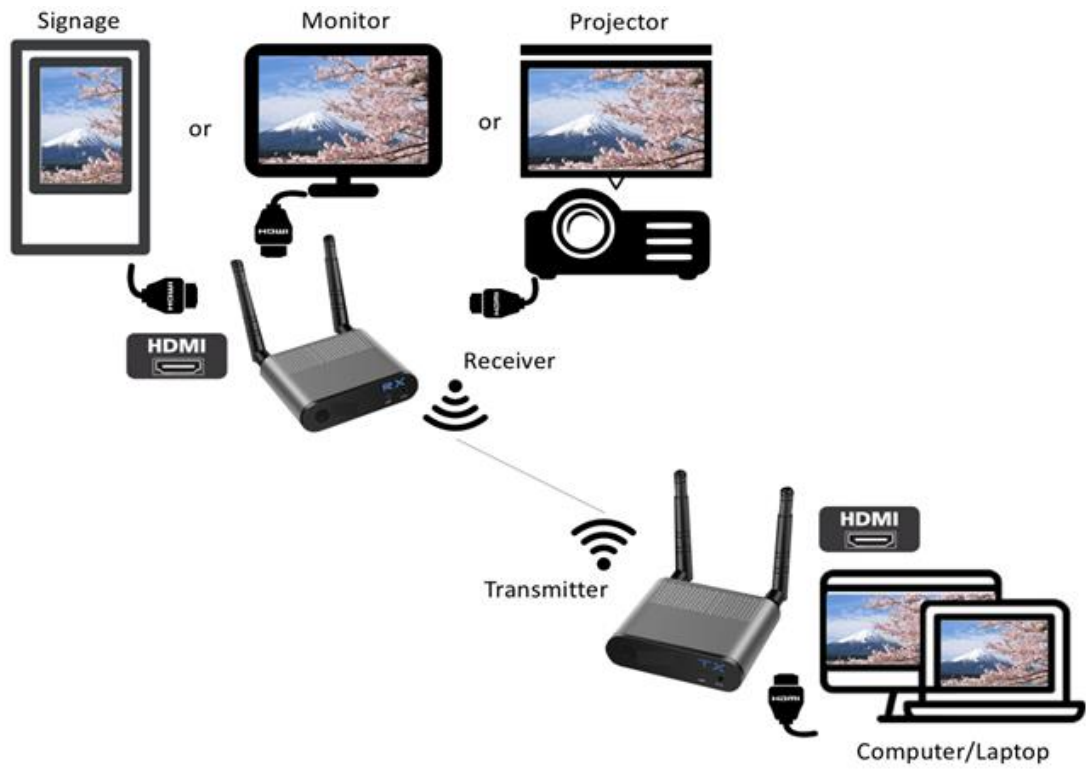
1.1 Introduction

The wireless HDMI extender extends high-definition video and audio to any HDTV displays up to 100m away. It supports up to 4 displays to show one source content synchronously and resolutions up to Full HD 1080p. The extender transmits send real time video and audio signals with very low latency, allowing user to view the content in other rooms of the house such as bedroom, living room, or kitchen. It also allows user to control source device from display side via source device's remote controller.

1.2 Features

- Digital 2.4G & 5GHz dual frequency wireless A/V transmission
- HDMI 1.4b (6.75Gbps), HDCP1.4 and DVI compliant
- Full HD 1080p transmits up to 100m wirelessly in the open space
- Powerful signal transmits through walls, floors & ceilings
- Support Point-to-Point and Multicast transmission, 4 receivers
- Extends infrared remote to control source device form display side
- Support output loop back
- Plug and Play, no software installation required
- Support 3D video transmission

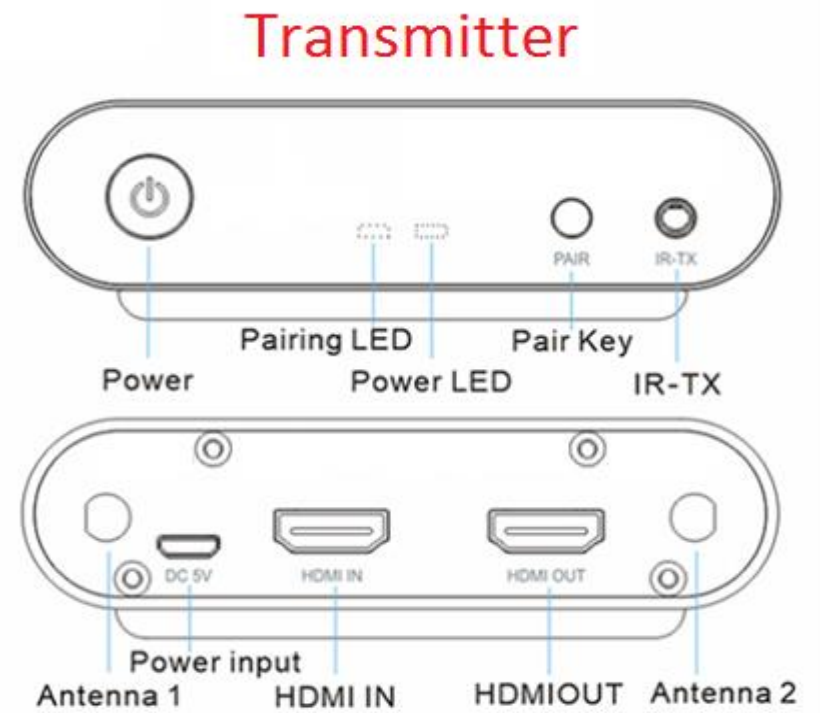




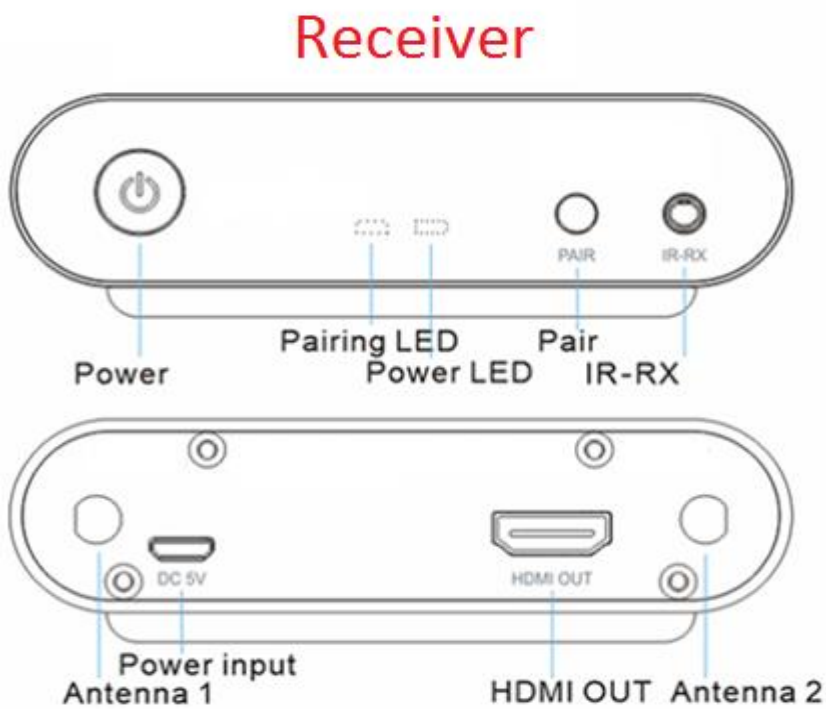
2 Profile

2.1 Interfaces

■ Transmitter View



■ Receiver View



3

Specification

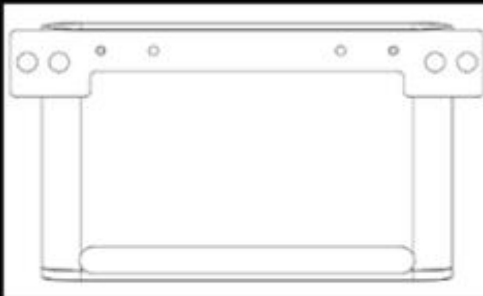
Technical	
HDMI Compliance	HDMI 1.4b
HDCP Compliance	HDCP 1.4
Video Bandwidth	6.75 Gbps
Video resolution	Up to 1080p@60Hz
Color Space	RGB, YCbCr 4:4:4, YCbCr 4:2:2
Color Depth	8-bit
HDMI Audio Formats	LPCM 2CH
Wireless Standard	802.11 a/b/g/n
Modulation Method	BPSK/QPSK/16-QAM/64-QAM
Wireless Band	2.4GHz, 5GHz ISM Band
Operation Range	Up to 100m in open space
IR Frequency	20KHz-60KHz
ESD Protection	Human body model +-8kV (air-gap discharge) & +-4kV (contact discharge)
Connections	
Transmitter	Input: 1x HDMI Type A (19-pin female) Outputs: 1x HDMI Type A (19-pin female) 1x USB (Mini USB type) 1x IR Out (3.5mm Stereo Mini-jack)
Receiver	Input: 1x USB(USB Type A) 1x IR in (3.5mm Stereo Mini-Jack) Output :1x HDMI Type A(19-pin female)
Mechanical	
Housing	Aluminum
Color	Gray Black
Dimensions	100mm (L) x 100mm (W) x 25mm (H)
Weight	Transmitter: 180g Receiver:180g
Power supply	Input AC100 – 240V 50/60Hz Output : DC 5V/1A
Power Consumption	3W (Max)
Operation Temperature	0 – 40 °C
Storage Temperature	-20 – 60 °C
Relative Humidity	20 – 90% RH (no condensation)

4

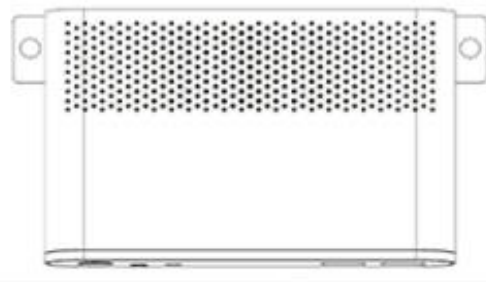
Wall Mounted Design (wall mounted kit is optional)



Wall-Mounted



1. Remove the two foot mats of the back, and fix the wall-handing accessories well



2. Fix the RX on the wall with screws from the front

5 Application

